
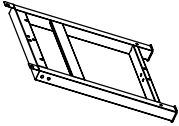


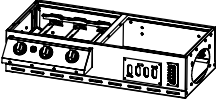
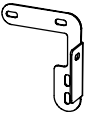
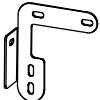
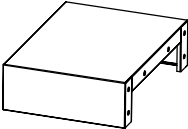
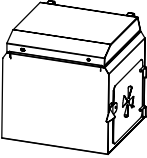
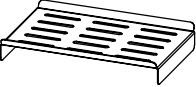
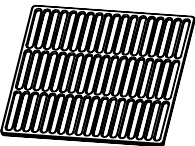
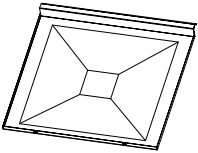
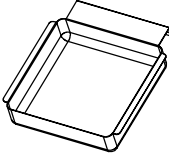


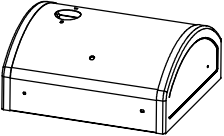
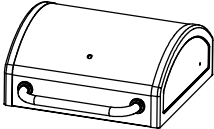


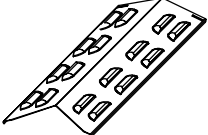
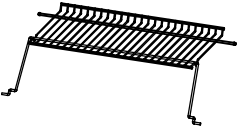

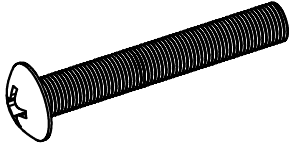


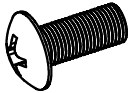
Parts List

① *1 	② *1 (L) 	③ *1 (R) 	④ *2 	⑤ *4 	⑥ *1 
⑦ *1 	⑧ *1 	⑨ *1 	⑩ *1 	⑪ *1 	⑫ *1 
⑬ *1 	⑭ *1 	⑮ *1 	⑯ *1 	⑰ *1 	⑱ *1 
⑲ *1 	⑳ *1 	㉑ *1 	㉒ *1 	㉓ *1 	㉔ *4 
㉕ *4 	㉖ *2 	㉗ *1 	㉘ *1 	㉙ *3 	㉚ *2 
㉛ *4 	㉜ *4 				

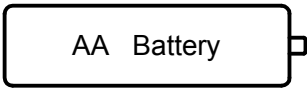
Hardware List



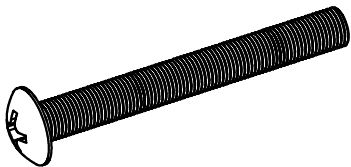
(A) BOLT M6×40
(16pcs)



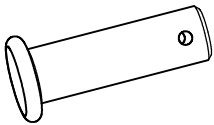
(B) BOLT M6×12
(46pcs)



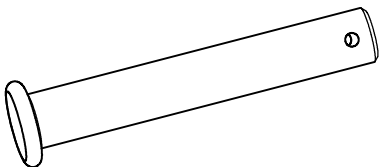
(C) BATTERY AA
(1pcs)



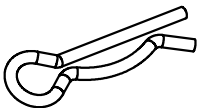
(D) BOLT M6×50
(4pcs)



(E) PIN Roll 7*25
(2pcs)



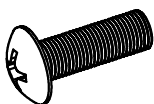
(F) PIN Roll 7×40
(4pcs)



(G) COTTER PIN 1.5*28
(6pcs)

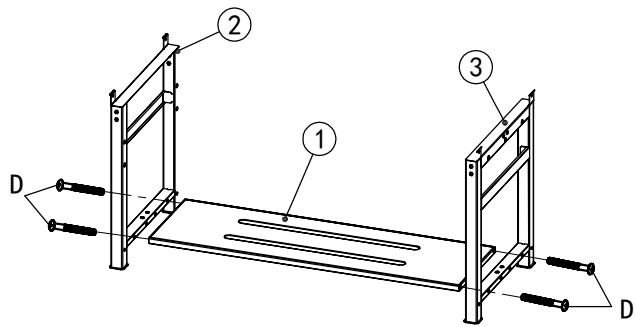


(H) NUT M6 FLANGE LOCK
(10pcs)



(I) BOLT M6×15
(4pcs)

1

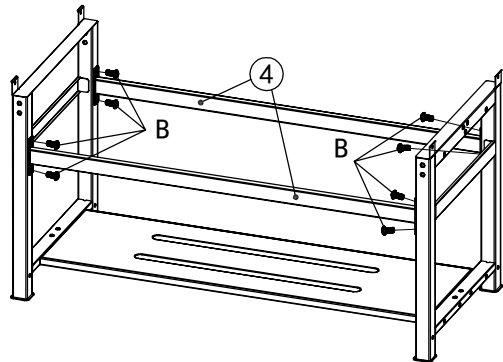


D



4PCS

2

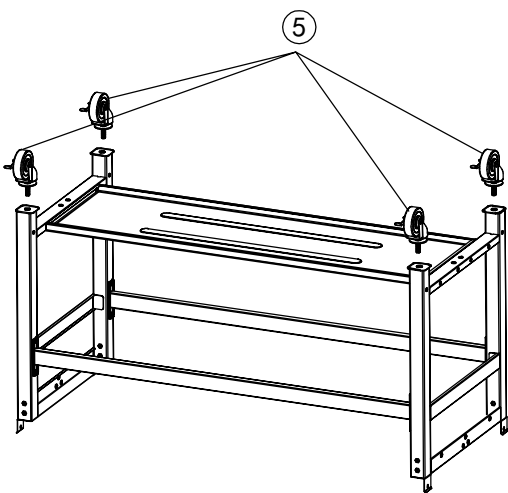


B

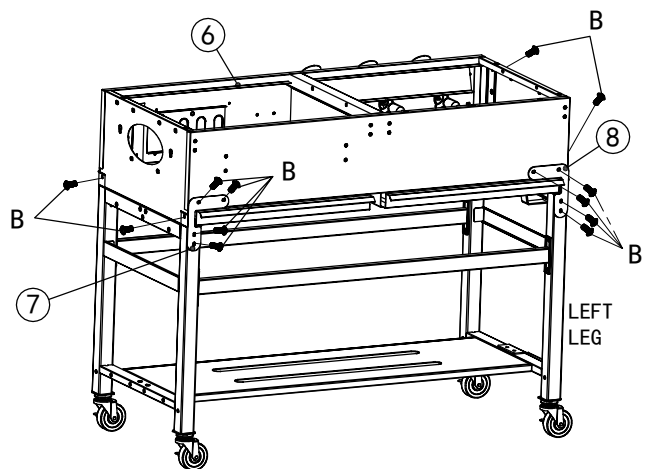


8PCS

3



4

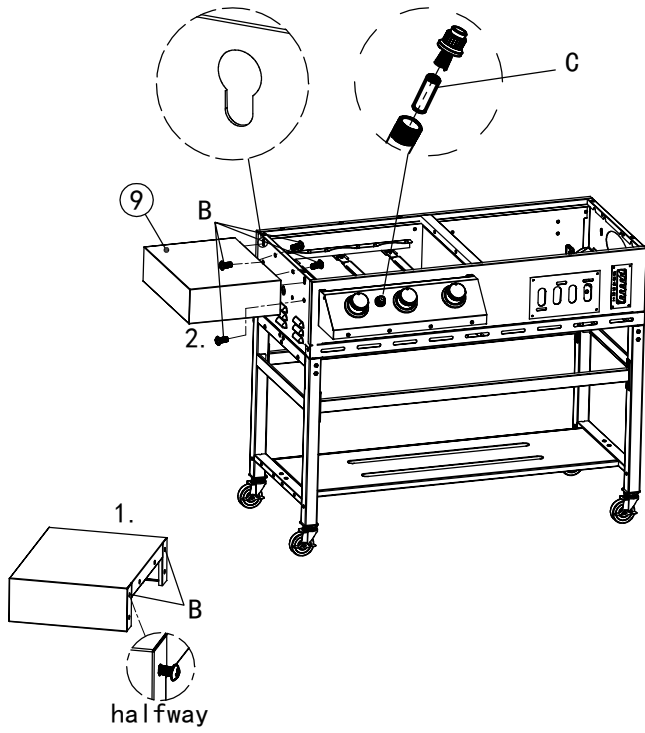


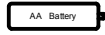

B



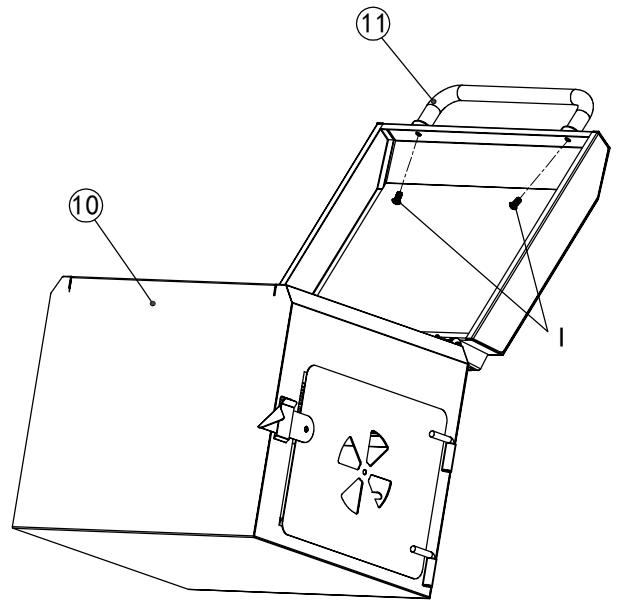
12PCS


5



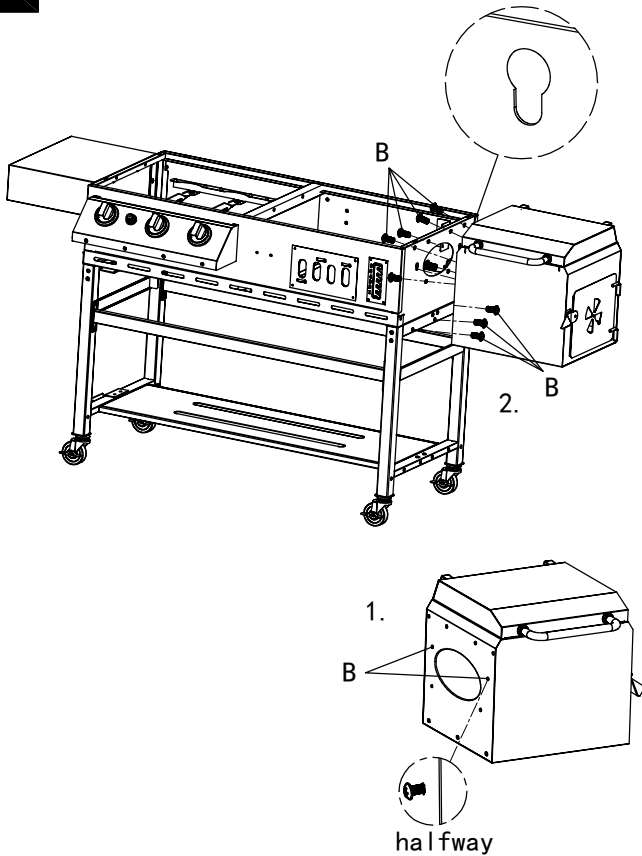
C	 AA Battery	1PCS
B		6PCS

6



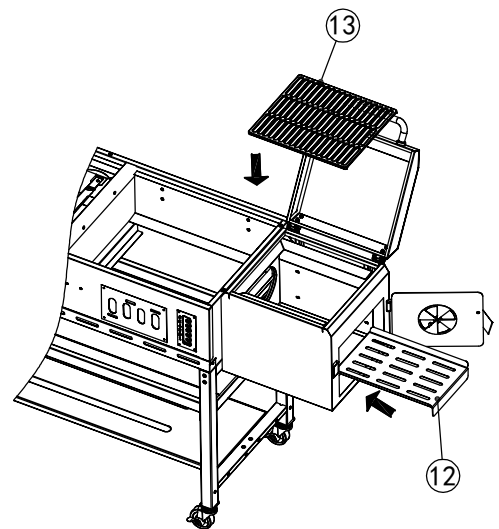
I		2PCS
---	---	------

7

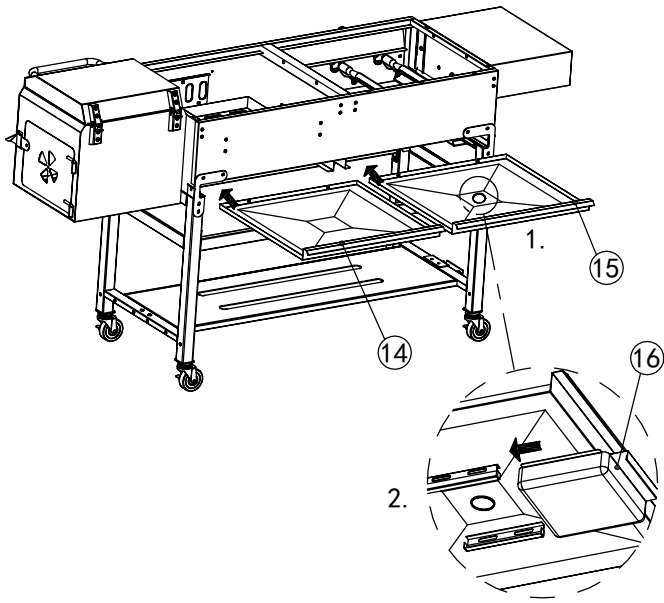


B		11PCS
---	---	-------

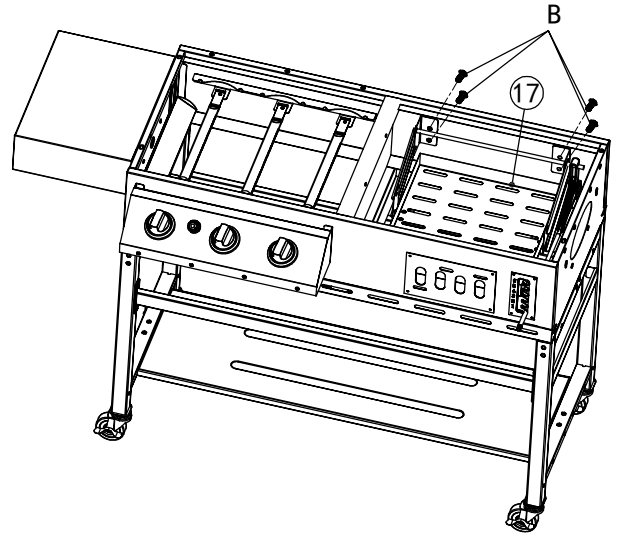
8



9



10

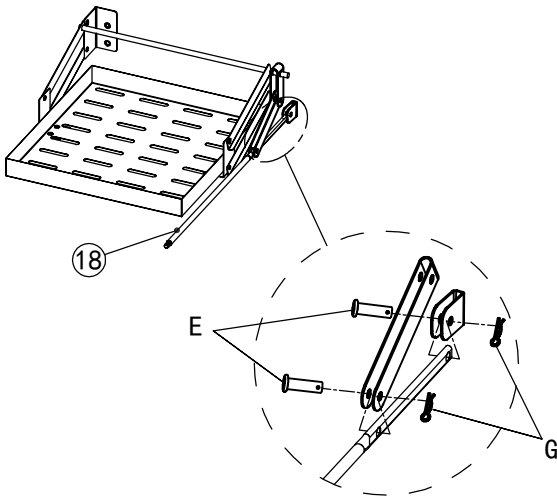


B

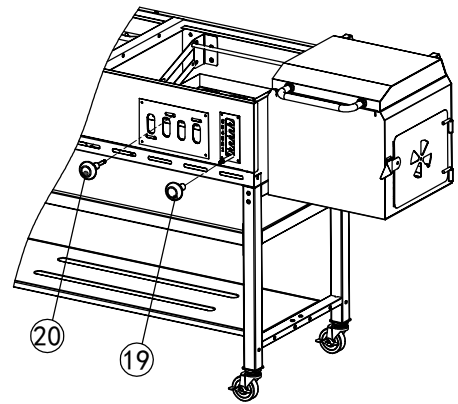


4PCS

11

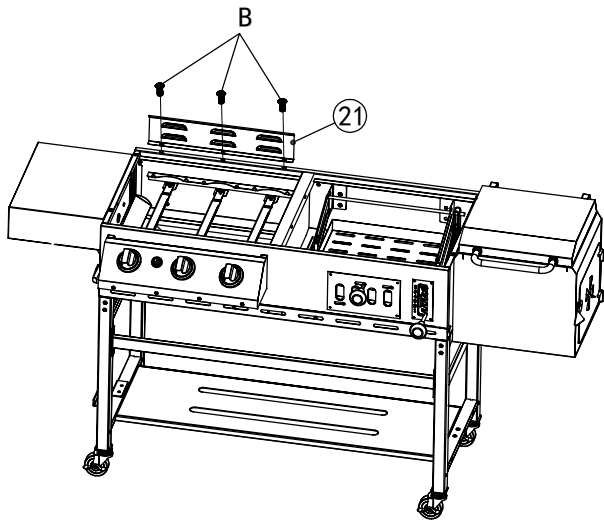


12



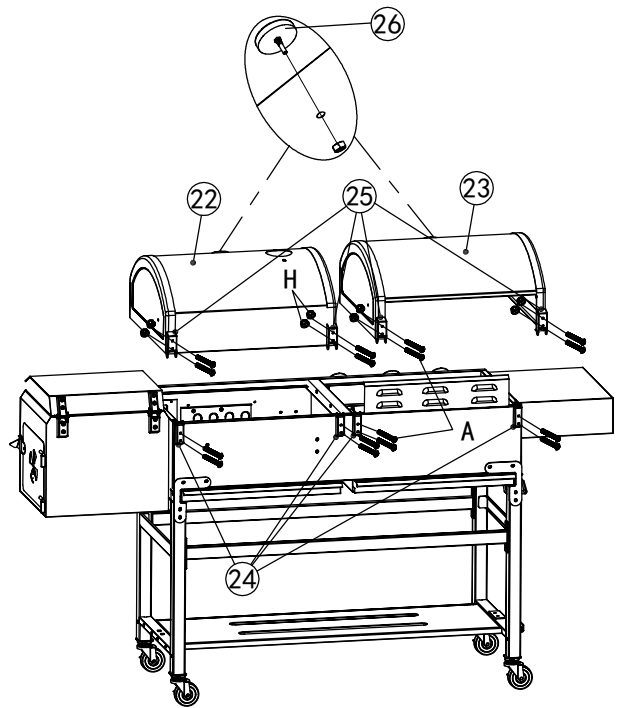
G		2PCS
E		2PCS



13



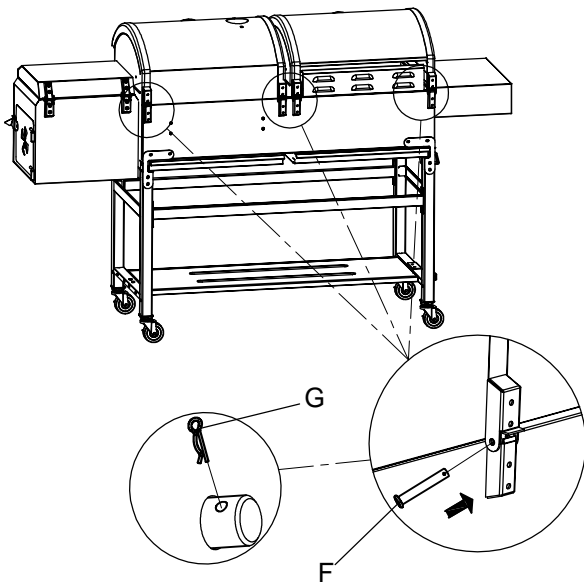
B		3PCS
---	---	------

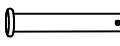

14



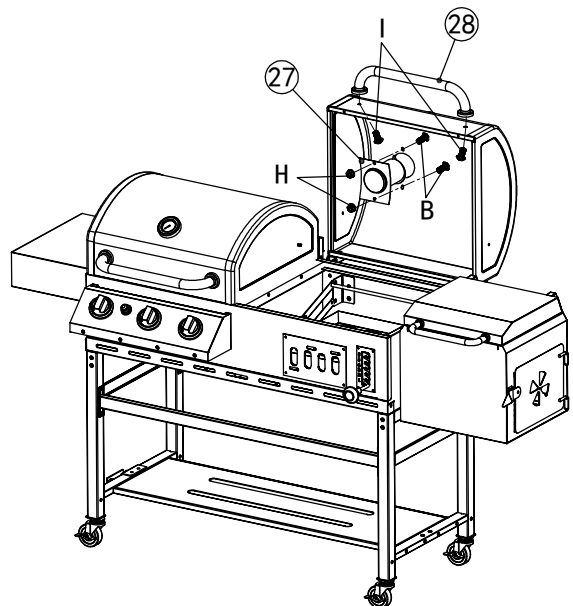
A		16PCS
H		8PCS


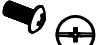

15



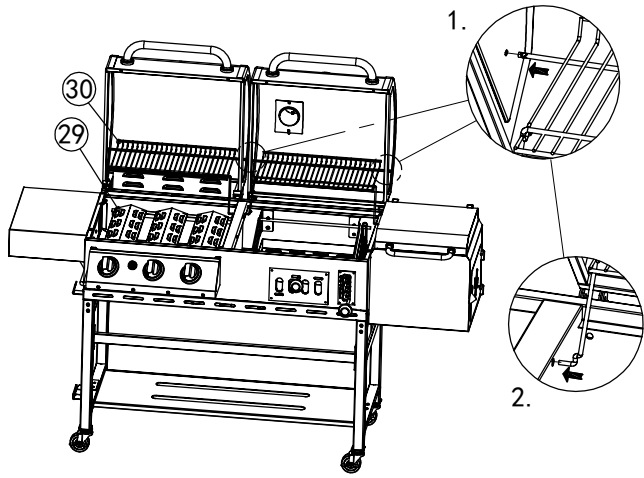
F		4PCS
G		4PCS

16



I		2PCS
B		2PCS
H		2PCS

17



18

